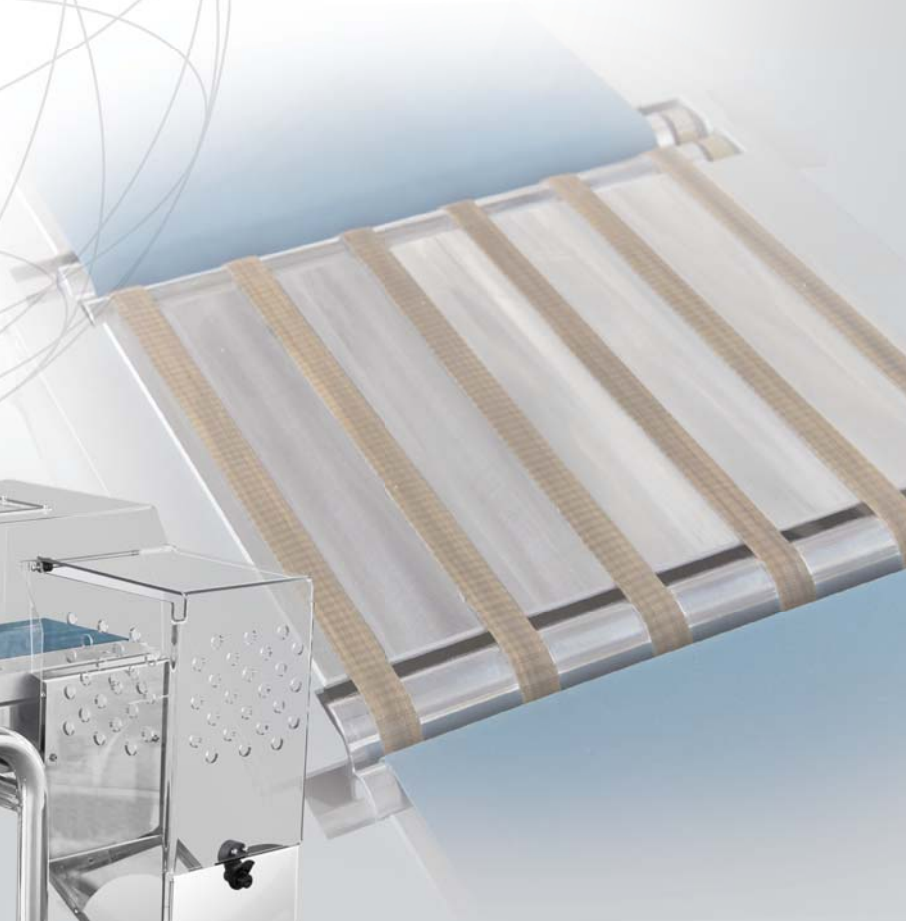


Your partner in inspection and quality control



checkweigher

01T3 PHARMA





checkweigher

O1T3 PHARMA

Equipment

- Digital electronics with PC Mainboard mini-ITX
- 10,4" TFT color display with touch screen panel
- Windows XP Operative System
- Electronic self-calibration device
- Production data management in conformity with the standards in force
- 3 levels password access protection
- Speed adjustable from panel
- Mobile average function
- 200 storable product programs
- 2 RS232 serial ports
- Ethernet interface
- Conformity with standards ISO-FDA HACCP

Accessories

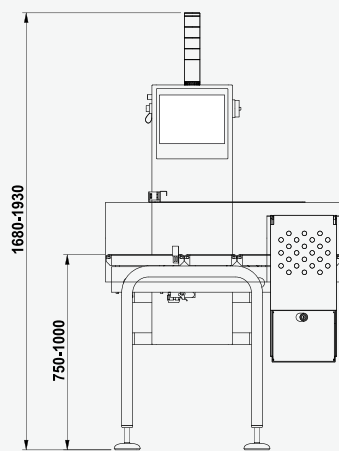
- Ejection systems
- Reject management systems
- Wind-prevention tunnel
- 24- columns panel printer
- Open flap control device
- Products programs memory expansion
- USB interface
- FAT/SAT, IQ/OQ, CFR21 part 11 validations

Technical Specifications

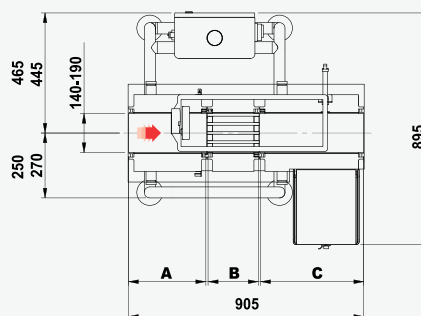
O1T3 Pharma

Weighing range	from 0 up to 600 g
Display division	from 0,1 g
Linear speed	up to 100 m/min
Throughput	up to 500 ppm
Accuracy*	from $\pm 0,1$ g
Pneumatic supply	0,6 Mpa
Air consumption (for ejection)	1 NL
Power supply	230V 50/60Hz single-phase
Power consumption	700 W
Mirror finishing of metal parts	Stainless steel IP55 - IP65

*depending on the weight, dimensions and type of product



RUNNING DIRECTION TO CLIENT'S SPECS



Plates configuration		
Infeed	Weighing	Outfeed
A	B	C
200	300	400
300	200	400

