



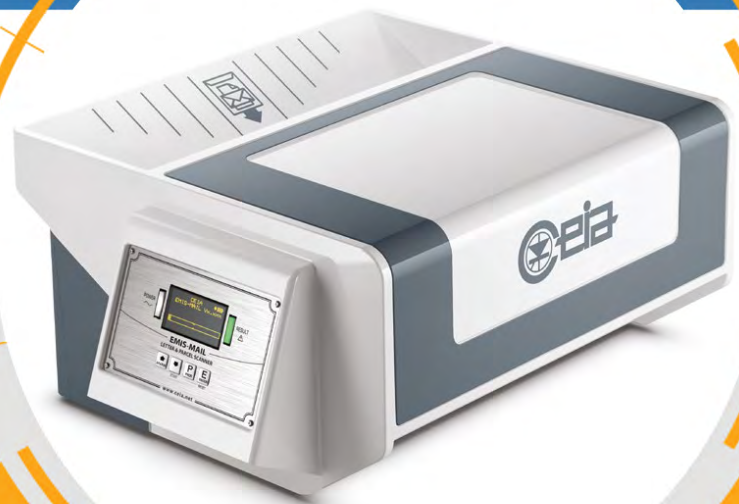
## EMIS-MAIL CEIA

LETTER BOMB AND IED DETECTOR  
FOR MAIL AND PARCEL INSPECTION

- AUTOMATIC INSPECTION OF PARCELS AND LETTERS UP TO 18" IN WIDTH AND 3" THICKNESS
- DETECTION OF DETONATORS, BATTERIES, TRIGGER CIRCUITS AND OTHER METAL COMPONENTS OF PARCEL BOMBS
- NO ALARM ON METAL STAPLES, PAPER-CLIPS AND METAL BINDING SPIRALS
- ERGONOMIC, COMPACT DESIGN
- OPERATES ON THE MAINS POWER SUPPLY AND WITH NIMH RECHARGEABLE BATTERIES (OPTIONAL)
- OPTIONAL EMBEDDED DETECTOR OF RADIOACTIVE MATERIALS



According to EU Reg. 185/2010  
on mail security inspection



THE EMIS-MAIL IS A LETTER BOMB AND IED DETECTOR FOR MAIL AND PARCEL INSPECTION.



ALARM SIGNALING



ALLOWED PARCEL

### ACCESSORIES / OPTIONS

- Gamma radiation detection
- Transport case
- Emis-mail mobile station

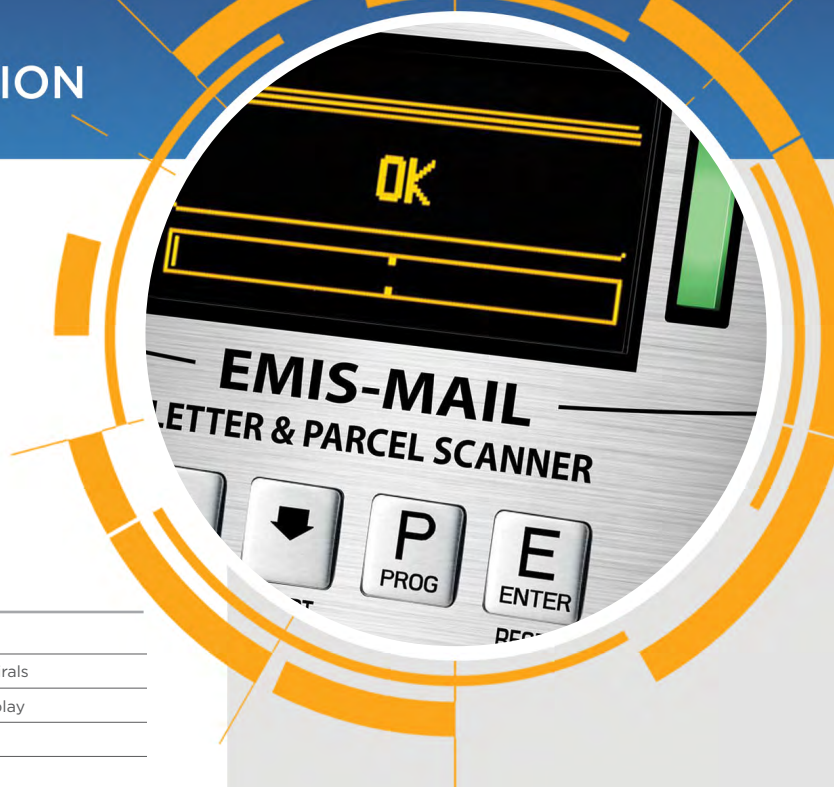




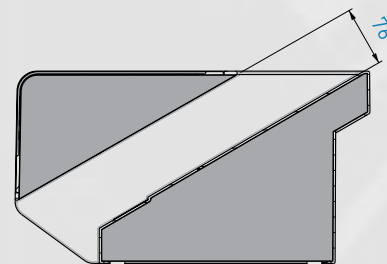
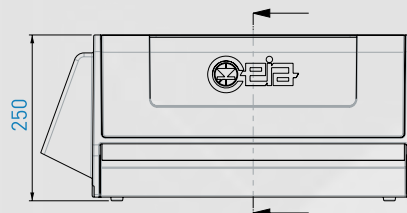
## EMIS-MAIL CEIA

### SPECIFICATIONS

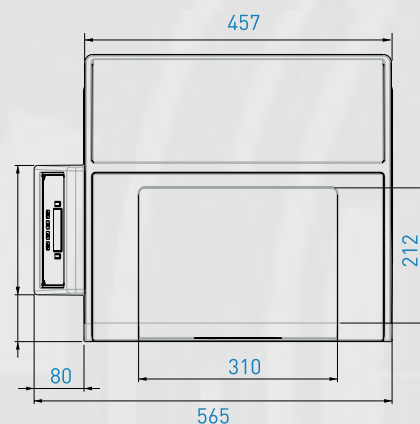
Key features	High inspection speed	
	No alarm on metal staples, paper-clips and metal binding spirals	
	Digital programming with high-resolution OLED graphic display	
	Optical and acoustic alarm signaling	
	Integrated autodiagnosis system	
	Permanent memory storage of operating parameters without back-up batteries	
	Independent operation, with mains power supply or batteries (optional)	
Structure	Transit opening	18" x 3" (450 mm x 75 mm)
	Degree of protection	IP40
	Dimensions	WxDxH: 18.1" x 22" x 10" (450 mm x 565 mm x 250 mm)
Weight	35 lbs (16 kg)	
Power supply	Voltage	100-240 V- single-phase - 50/60 Hz with external AC/DC adapter
	Current	1.07 A max
	Battery operation (optional)	6 x 1.2V NiMH size D
	Battery operation (optional)	Battery life: 12 hours Battery-charger incorporated: recharging time 6 hours
Programming	Type	Local: via integrated keypad Remote: via Bluetooth, RS232
	Data Logger Memory capacity	10,000 events
Signaling	Acoustic	Internal buzzer
	Optical	High-contrast OLED graphic display with bar-graph indication
		LED indicators on the control panel
Security/safety	Access to programming protected by password	
	Insulation from mains voltage	
Environmental data	Temperature	Operating : 14°F to 122°F (-10 to +50 °C) Storage : -13°F to 140°F (-25 to +60 °C)
	Relative humidity	5 to 90 %, without condensation



### DIMENSIONS (MM)



SEZIONE: A-A



### HTDS

Parc d'Activités du Moulin de Massy - 3 rue du Saule Trapu

BP246 - 91882 Massy Cedex France

Tel : +33 (0) 1 64 86 28 28 - Fax : +33 (0) 1 69 07 69 54 - info@htds.fr - www.htds.fr

HTDS Algeria: +213 232 384 01/02

HTDS Morocco: +212 222 749 59

HTDS Egypt: +202 229 053 06

HTDS Lybia: +218 91 69 50 70 8

HTDS Madagascar: +261 34 40 664 72

HTDS Tunisia: +216 70 836 961

