

**Features**

- AlGaIn based material
- UVC photodiode
- TO46 package
- Good solar blindness
- High responsivity and low dark current



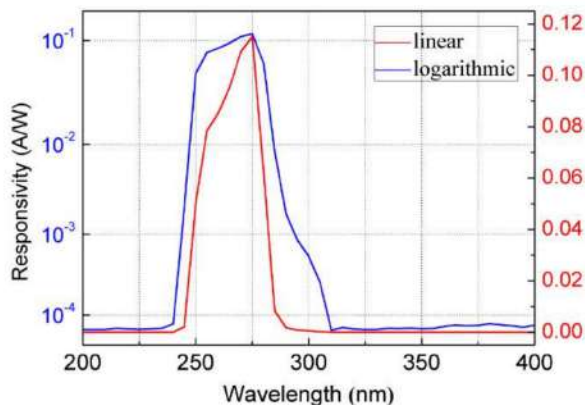
**Applications**

- Ozone monitoring
- UV radiation dose measurement
- Flame detection

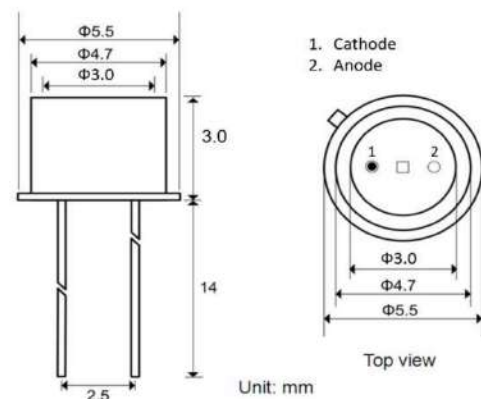
## Specifications

Parameter	Symbol	Value	Unit
<b>Spectral characteristics (25 °C)</b>			
Wavelength of peak responsivity	$\lambda_{max}$	275	nm
Peak responsivity (at 275 nm)	$R_{max}$	0.113	A/W
Spectral response range	-	250~280	nm
UV/visible rejection ratio ( $R_{max}/R_{400\text{ nm}}$ )	VB	$>10^3$	-
<b>General characteristics (25 °C)</b>			
Chip size	A	0.5	mm <sup>2</sup>
Dark current (1 V reverse bias)	$I_d$	<10	pA
Capacitance (at 0 V and 1 MHz)	C	4.2	pF
Temperature coefficient	$T_c$	-0.1	%/°C
<b>Maximum ratings</b>			
Operation temperature range	$T_{opt}$	-40~85	°C
Storage temperature range	$T_{stor}$	-40~85	°C
Soldering temperature (3 s)	$T_{sold}$	260	°C
Reverse voltage	$V_{Rmax}$	10	V

## Spectral response



## Package dimensions



**\*Caution:** ESD can damage the device hence please avoid ESD.