

## Features

SiC based material  
 Broad band UVA+UVB+UVC photodiode  
 Photovoltaic mode operation  
 TO-46 metal housing  
 Good visible blindness  
 High responsivity and low dark current



## Applications

UV index monitoring  
 UV radiation dose measurement  
 Flame detection

## Specifications

Parameter	Symbol	Value	Unit
-----------	--------	-------	------

### Spectral characteristics (25 °C)

Wavelength of peak responsivity	$\lambda_{max}$	275	nm
Peak responsivity (at 275 nm)	$R_{max}$	0.13	A/W
Spectral response range	-	200~380	nm
UV/visible rejection ratio ( $R_{max}/R_{400\text{ nm}}$ )	VB	$>10^4$	-

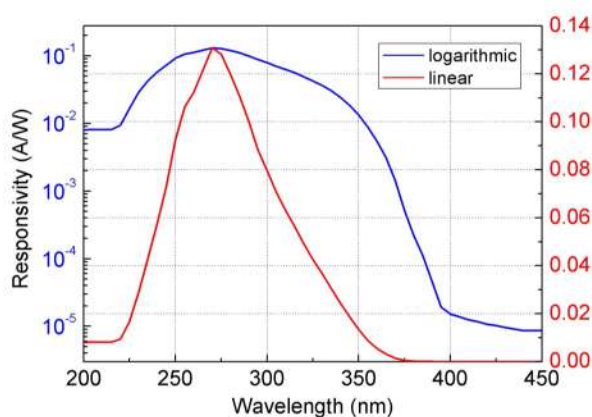
### General characteristics (25 °C)

Chip size	A	9	mm <sup>2</sup>
Dark current (1 V reverse bias)	$I_d$	<50	pA
Capacitance (at 0 V and 1 MHz)	C	/	pF
Temperature coefficient	$T_c$	-0.1	%/°C

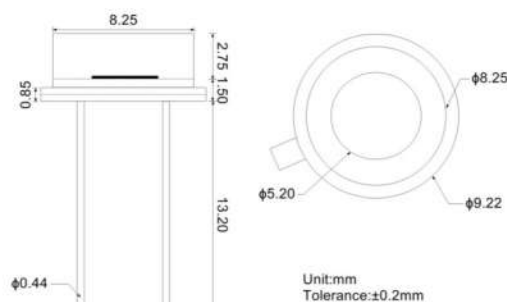
### Maximum ratings

Operation temperature range	$T_{opt}$	-40~125	°C
Storage temperature range	$T_{stor}$	-40~125	°C
Soldering temperature (3 s)	$T_{sold}$	260	°C
Reverse voltage	$V_{Rmax}$	20	V

## Spectral response



## Package dimensions



**\*Caution:** ESD can damage the device hence please avoid ESD.