



ITEMISER® 5X RAPISCAN

NON-RADIOACTIVE-BASED EXPLOSIVES AND
NARCOTICS DETECTION

- ⌚ SIMULTANEOUS DETECTION OF EXPLOSIVE AND NARCOTICS IN 8 SECONDS
- ⌚ NON-RADIOACTIVE ION SOURCE
- ⌚ AUTOMATED INTERNAL CALIBRATION
- ⌚ INCREASED USABILITY, IMPROVED OPERATIONAL AND DETECTION ACCURACY
- ⌚ REMOTE MONITORING CAPABILITY VIA REMOTE CONNECT™
- ⌚ PUSH-BUTTON, SCHEDULABLE AUTOMATED MAINTENANCE

COST EFFECTIVE

- Automated internal calibration eliminates the costs of purchasing and managing calibration traps.
- Low energy consumption reducing operating costs.
- Patented regenerative dryer increases uptime and eliminates the cost of replacing dryer materials.
- Reduces the labor required to train and manage maintenance

USER EXPERIENCE

- Results require minimal interpretation, allowing operators to focus on sample acquisition..
- The on-board computer automatically records all data, including time, date, sample analysis and system status.
- A complete history of recorded data and alarm files can be recalled and printed.



THE **ITEMISER 5X** USES OPTIMIZED DETECTION LIBRARIES AND ADVANCED SOFTWARE ALGORITHMS, MAKING IT IDEAL FOR DETECTING TRACES OF EXPLOSIVE AND NARCOTIC THREATS. THE NON-RADIOACTIVE IONIZATION SOURCE ELIMINATES THE NEED FOR ANNUAL WIPE TESTING AND LICENSING, AND ALSO REDUCES SHIPPING ISSUES.

EASE OF USE

- Non-radioactive ionisation source removes shipping restrictions and shipping restrictions and licensing requirements
- Built-in printer for fast hard copy results or printing later
- Quick analysis and results in approximately 8 seconds
- Integrated software keyboard and help files
- Push-button automated maintenance can be scheduled



ITEMISER® 5X RAPISCAN

PHYSICAL SPECIFICATIONS

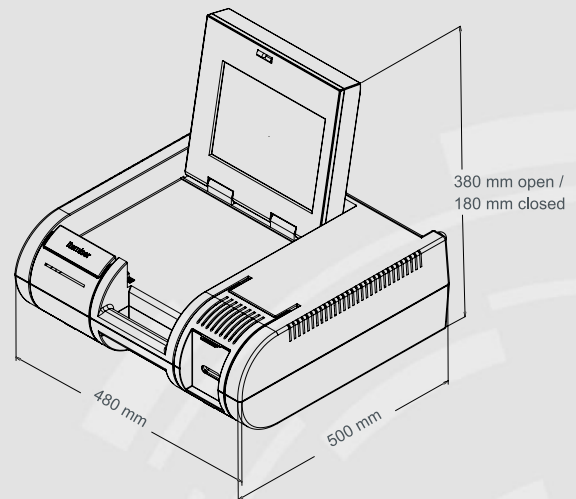
Dimensions	Length: 50 cm open/ 46 cm closed
	Width: 48 cm
	Height: 38 cm open/ 18 cm closed
Weight (Approx.)	Net: 12,99 Kg

TECHNICAL SPECIFICATIONS

Detector type	Ion Trap Mobility Spectrometer (ITMS™)
Analysis time	Default 8 seconds
Sample acquisition	Surface wipe
Warmup time (Cold Start)	Allow approximately 30 minutes for system to stabilize
Operating temperature	-10 to 55°C IP20 protection rating
Power	External AC to DC Power Supply: 100-240 VAC, -1.8 Amps, 47-63 Hz input,
	15 VDC output, 10 Amps, 150W
Battery backup	Up to 60 minutes
Computer	Hard Drive: 256 gigabytes
	Operating System: Linux
Signal processing	Recognition on multiple peaks and explosives; output to 4 different display types,
Detection modes	Explosives and Narcotics Detection or Dual Mode Detection
Data transfer capability	Two USB 2.0 ports; Ethernet port

PORTABILITY

- Lightweight (12,99 kg) with built-in handle for easy transport
- Internal, one-hour battery allows instrument relocation without shut off, eliminating warmup time



HTDS

Parc d'Activités du Moulin de Massy - 3 rue du Saule Trapu
 BP246 - 91882 Massy Cedex France
 Tel : +33 (0) 1 64 86 28 28 - Fax : +33 (0) 1 69 07 69 54 - info@htds.fr - www.htds.fr
 HTDS Algeria : +213 232 384 01/02
 HTDS Egypt : +202 229 053 06
 HTDS Madagascar : +261 34 40 664 72
 HTDS RDC: +243 990 086 063

HTDS Morocco : +212 222 749 59
 HTDS Lybia : +218 91 69 50 70 8
 HTDS Tunisia : +216 70 881 213
 HTDS Kenya : +254 103 729 792

